

# G5XX, TYPE A SERIES

## HAND-HELD ELECTRONIC ENCLOSURE



### PRODUCT INFORMATION

#### MATERIAL:

- High-impact ABS plastic, Grey and black color.

#### FEATURES:

- Designed to accept two or four "AA" battery & 9V 216 type.
- G0310 => 2 AA Battery contact kit is optional for ordering.
- G0312 => 4 AA Battery contact kit is optional for ordering.
- G900B Clip  
=> Black belt clip (\*optional)
- G900G Clip  
=> Grey belt clip (\*optional)
- G858(G)TS & G858(B)TS  
- tilt stand is optional for selection.



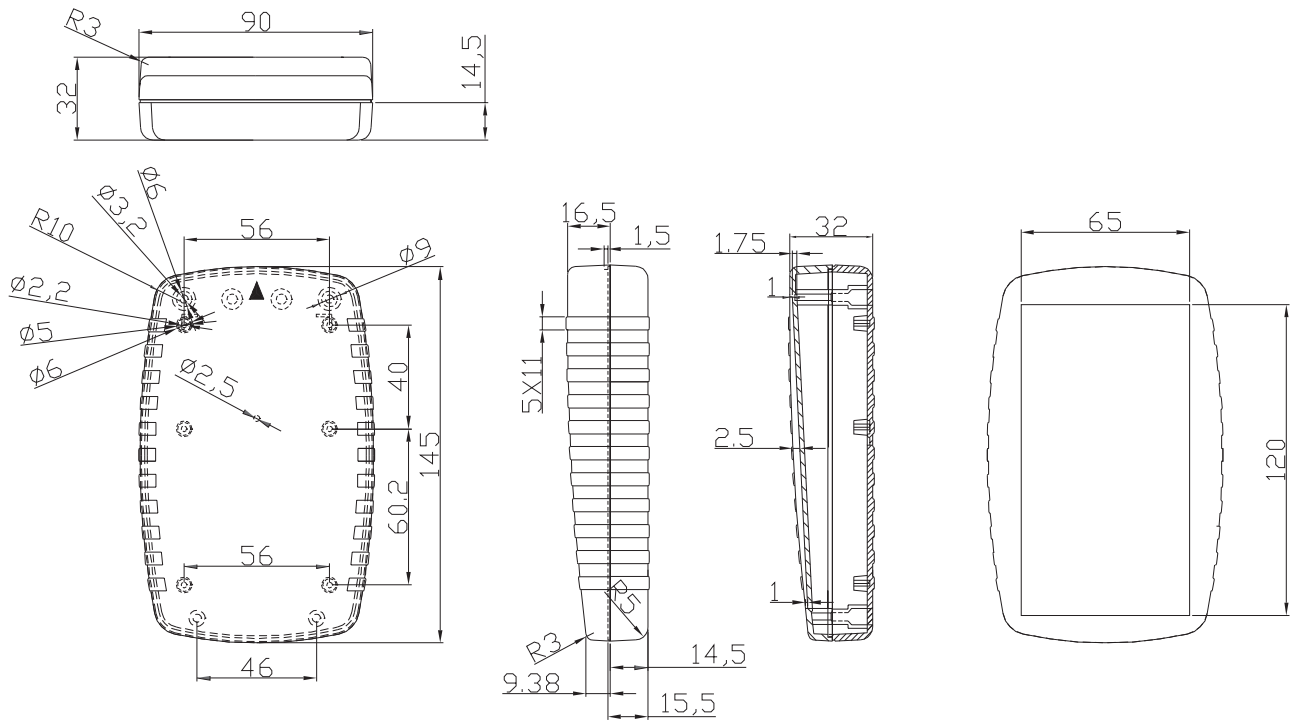
G0310



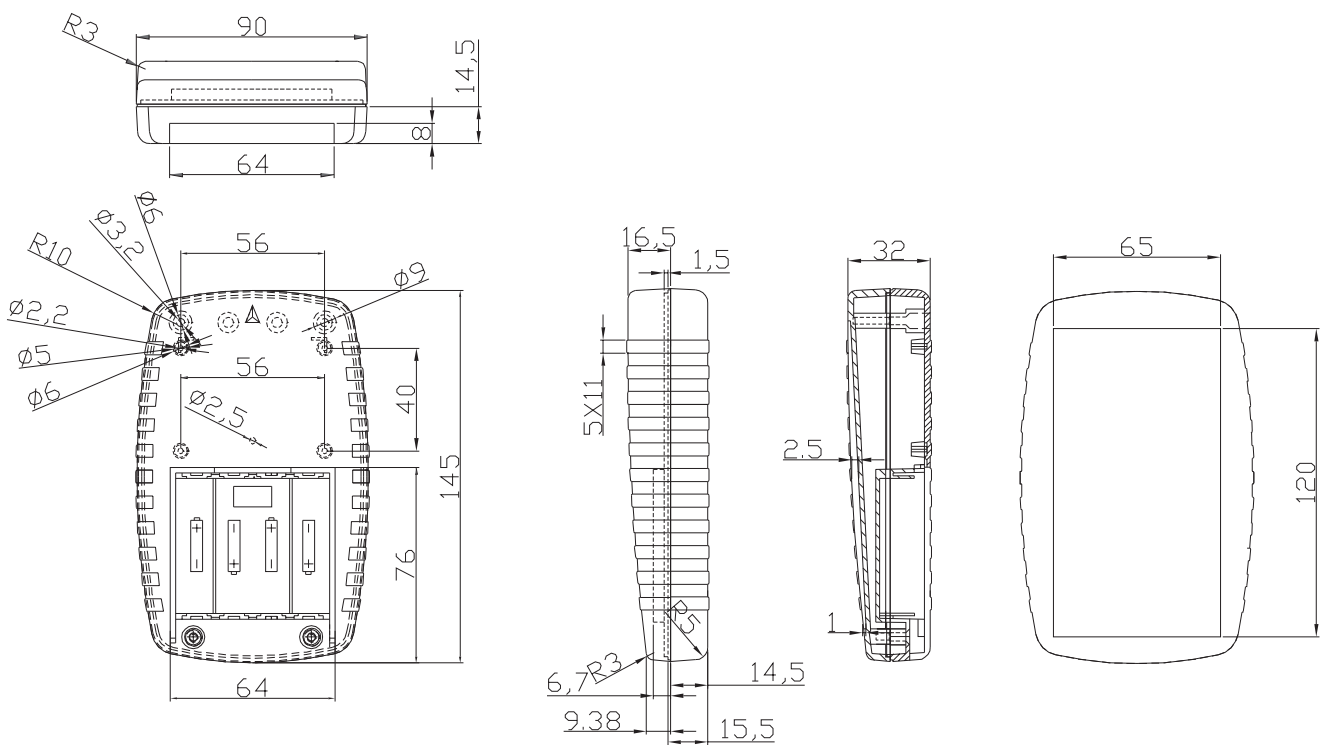
G0312

ITEM No.	COLOR	RECESSED DISPLAY AREA	BATTERY COMPARTMENT	EXTERNAL DIMENSION(mm)
G500G	Grey	120 x 65 mm	NO	120 x 65 mm
G500B	Black	120 x 65 mm	NO	120 x 65 mm
G500G(BC)	Grey	120 x 65 mm	Yes	120 x 65 mm
G500B(BC)	Black	120 x 65 mm	Yes	120 x 65 mm
G503G	Grey	140 x 70 mm	NO	140 x 70 mm
G503B	Black	140 x 70 mm	NO	140 x 70 mm
G503G(BC)	Grey	140 x 70 mm	Yes	140 x 70 mm
G503B(BC)	Black	140 x 70 mm	Yes	140 x 70 mm

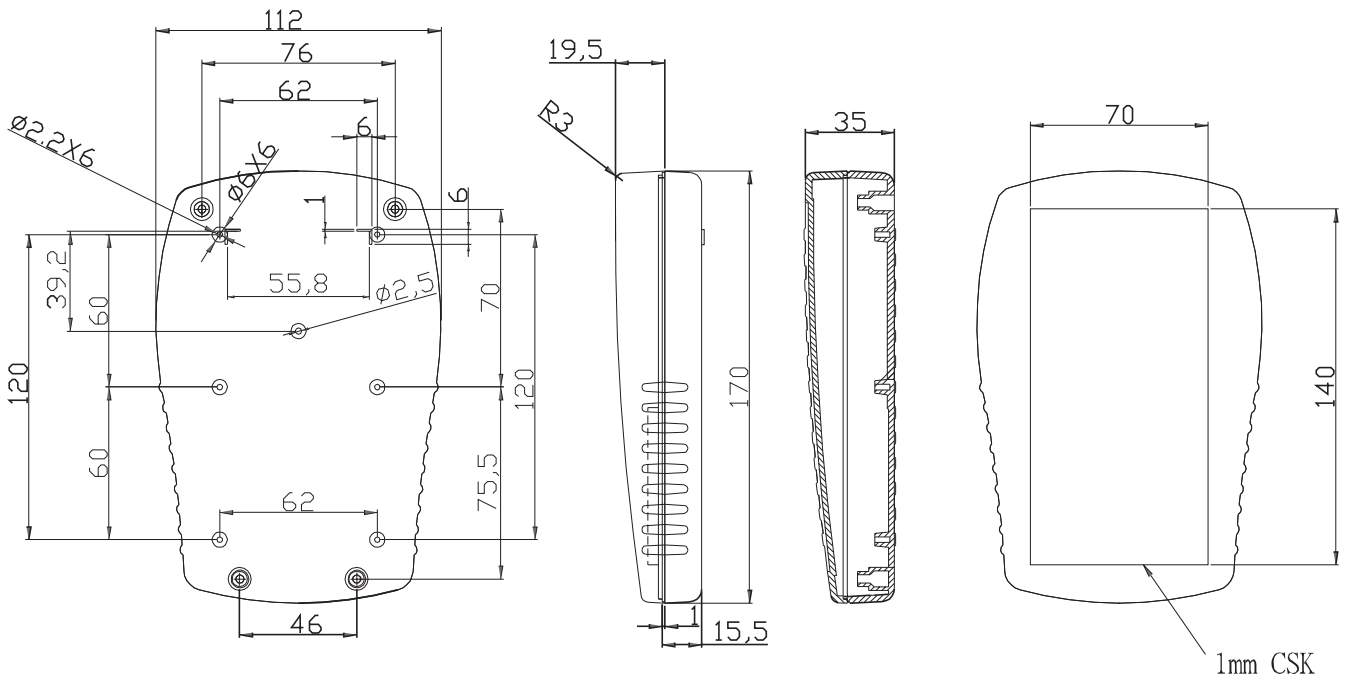
**G500B/ G500G**



**G500B(BC) / G500G(BC)**



**G503B/ G503G**



**G503B(BC) / G503G(BC)**

